



NORDIC SQ

OPERATIONAL TECHNICAL DOCUMENTATION

Table of contents

Product name and manufacturer's data	4
Product Safety	5
Explanations of symbols and signs.....	5
Definitions	6
Subject, purpose and content of the documentation	6
Technical information.....	7
Technical parameters	7
Product description	7
Nordic SQ construction	8
Brackets.....	9
Installation	10
General requirements for safe installation.....	10
General requirements for safe installation.....	10
Requirements for safe installation of the product at height	10
Installation tools	11
WIRING (if motor was ordered)	11
Safety equipment	11
Using the crank (only for the awning with manual mechanism or with an emergency opening)	11
Starting	12
Usage	12
Maintenance.....	12

Product name and manufacturer's data

NAME
NORDIC SQ

PRODUCT MANUFACTURER'S DESIGNATION

Manufacturer name:
NERLI GRUPPEN Poland

Manufacturer's headquarters:
Kościerzycy 130, 49-314 Piszczowice

Website:
www.nerligruppen.com

Contact:
Phone: +48 77 419 60 89
e-mail: info@nerligruppen.com

PRODUCT SAFETY MARKING:

The product meets the CE safety requirements

This technical and operational documentation:
effective from January 1, 2022.
in the scope of products marked above


The product has been made in accordance with the latest technical knowledge in the field of construction and production technology and meets the safety requirements in accordance with the following standards.

Product Safety

Lp.	Subject	European Legal Basis	Polish Legal Basis
1.	External curtains. Performance requirements, including safety	PN-EN 13561:2015-07	PN-EN 13561:2015-07
2.	Essential requirements for machinery	Directive 2006/42/EC of the European Parliament and of the Council	Regulation of the Minister of Economy of 28 October 2008 (Journal of Laws No. 1228.2008)
3.	Overall product safety	Directive 2001/95/EC of the European Parliament and of the Council	OJ of 12 December 2003 No. 229, item 2275, as amended. d.

Explanations of symbols and signs

The following symbols (pictograms) indicate particularly important safety and hazard information.

Icon	Meaning of the pictogram	Information
	INFORMATION	Before using the product, please read the instruction manual Compliance with the instructions is a prerequisite: - trouble-free operation of the product, - pursuing claims for defects. For the safety of persons, the Instruction should be followed.
	INFORMATION	No harmful or dangerous consequences for people or objects.
	ATTENTION!	A situation that may cause damage to the product or other damage. No danger to humans.
	WARNING!	Risk of danger
	DANGER!	This symbol indicates all safety information, the non-observance of which poses a threat to the life or health of persons. Threat to life and health. Risk: Danger of serious injury or death. A dangerous operation that can cause injury or damage to the product.
	WARNING!	Danger to health or life through electric shock.

Definitions

The following phrases and definitions are used in the Technical and Operational Documentation:

Product: Awning Nordic SQ

Awning: An awning with folding arms for external use. It protects the terraces, restaurants, cafés and detached houses from excessive sun exposure. Nordic SQ is operated manually or with electric motor. The system is intended for installation on the facade of buildings.

Subject, purpose and content of the documentation

The subject of this documentation are products manufactured by NERLI GRUPPEN Poland under the name NORDIC SQ. Documentation is valid together with information on a specific product available on the website of the www.nerligruppen.com. The documentation is a component of the delivery of the product and should be constantly stored in its vicinity. An integral part of this documentation is the WARRANTY CARD for the product.

The documentation shall include:

- important recommendations for the installation, use and maintenance of the product,
- guidelines, the observance of which will allow for long-term and trouble-free use of the product.

NERLI GRUPPEN Poland is not responsible for any damage resulting from non-compliance with the recommendations contained in this documentation.

In order to further improve the products, NERLI reserves the right to introduce changes that, while maintaining important technical parameters, will be considered expedient to increase the quality of product service and safety of use. The copyright to this documentation is the property of NERLI GRUPPEN Poland. This documentation may not be used for competitive activities or made available to third parties, either in part or in whole, without the owner's permission.

Technical information

Technical parameters

Awning Nordic SQ		
Maximum dimensions	Maximum width	Maximum projection
Electric or manual drive	7000 mm	3600 mm
Manual drive – crank	aluminium, length 150 cm or 180 cm.	
Electric drive – motor characteristics:		
- power supply	230 V / 50 Hz	
- power	From 240 W to 275 W (depends on the type of the motor)	
- current consumption	From 0,4 to 1,25 A (depends on the type of the motor)	
- protection rating	IP 44	
- non-stop work time	4 min	
- torque	40 Nm or 50 Nm (depends on the type of the motor)	
- speed	12 rpm. or 17 rpm. (depends on the type of the motor)	
- operating temperature	- 25 to 70 °C – SOMFY;	
Mounting		
Application	External	
Place of mounting	Façade of the building	

Technical data of electric motors:

Detailed information can be found on the websites of engine manufacturers: www.somfy.com,

Product description

Mounted on the outside of the building, operated by an electromechanical drive connected to a control system.
 Mounted on the outside of the building, operated manually by crank mechanism.

They are characterized by the following features:

Reduce access of sunlight into the room – according to needs.

Protect against excessive penetration of sunlight into the apartment, protect the rooms from heating, thus contributing to the improvement of indoor thermal comfort.

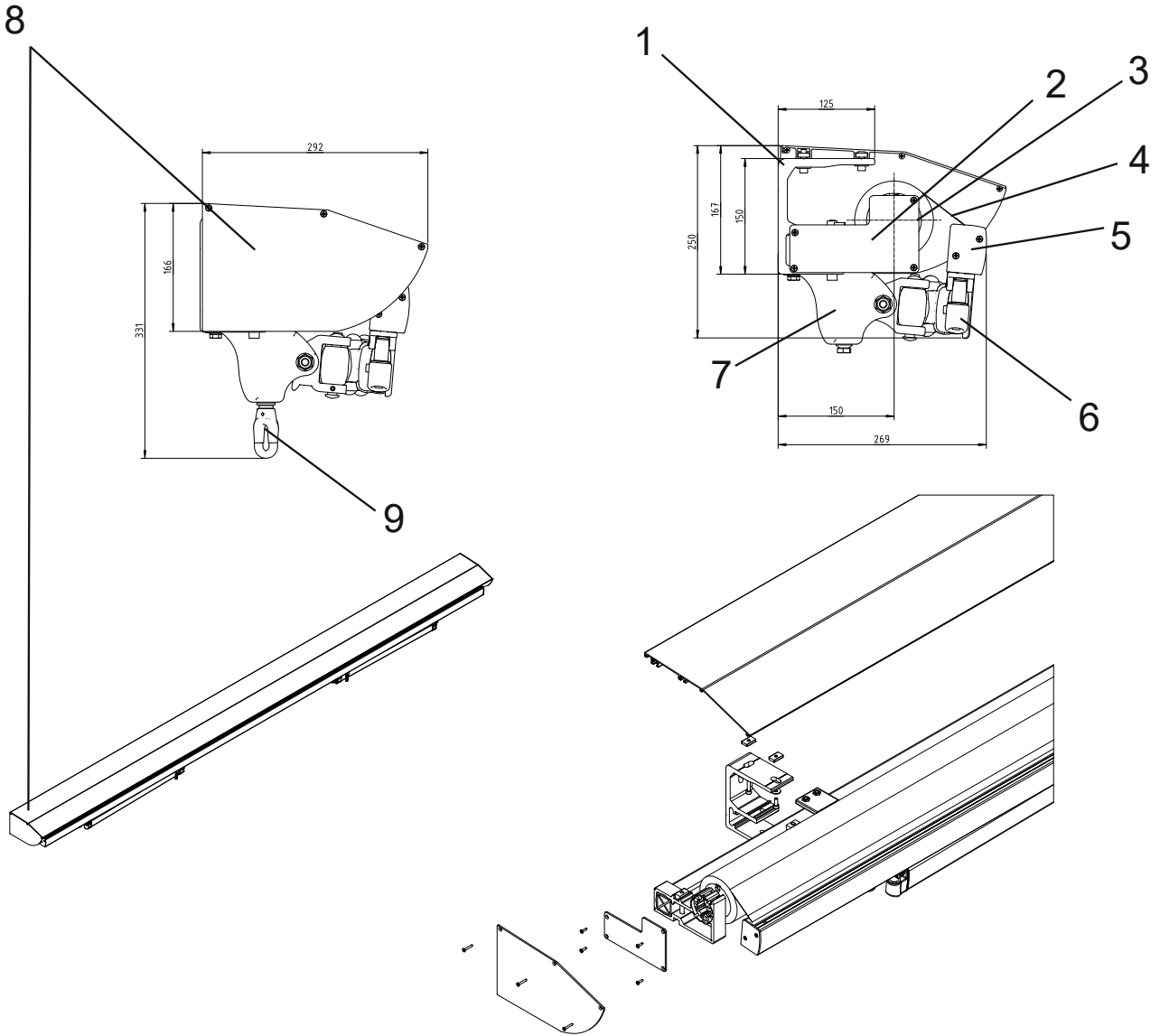
They do not emit toxic substances during usage.

Motors have at least IP44 degree of protection, which means that they are protected against splashing water on building from any direction.

Movement up and down is done by hand using manual mechanism with a crank, an electric switch or by using the remote control.

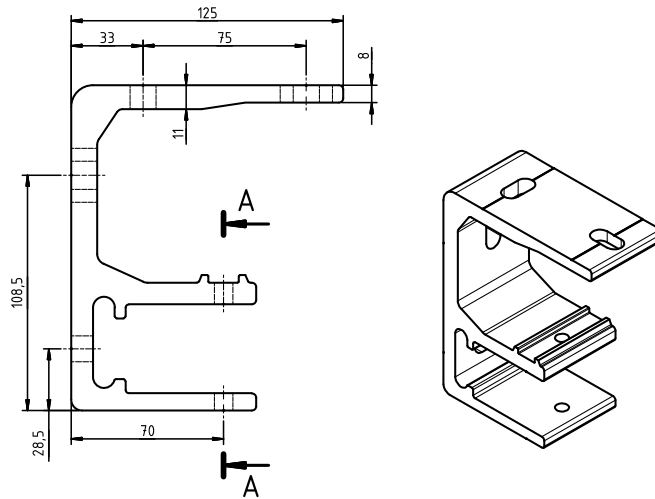
Covers of moving parts are designed and manufactured in a way that provides security – assuming that they are properly exploited.

Nordic SQ construction

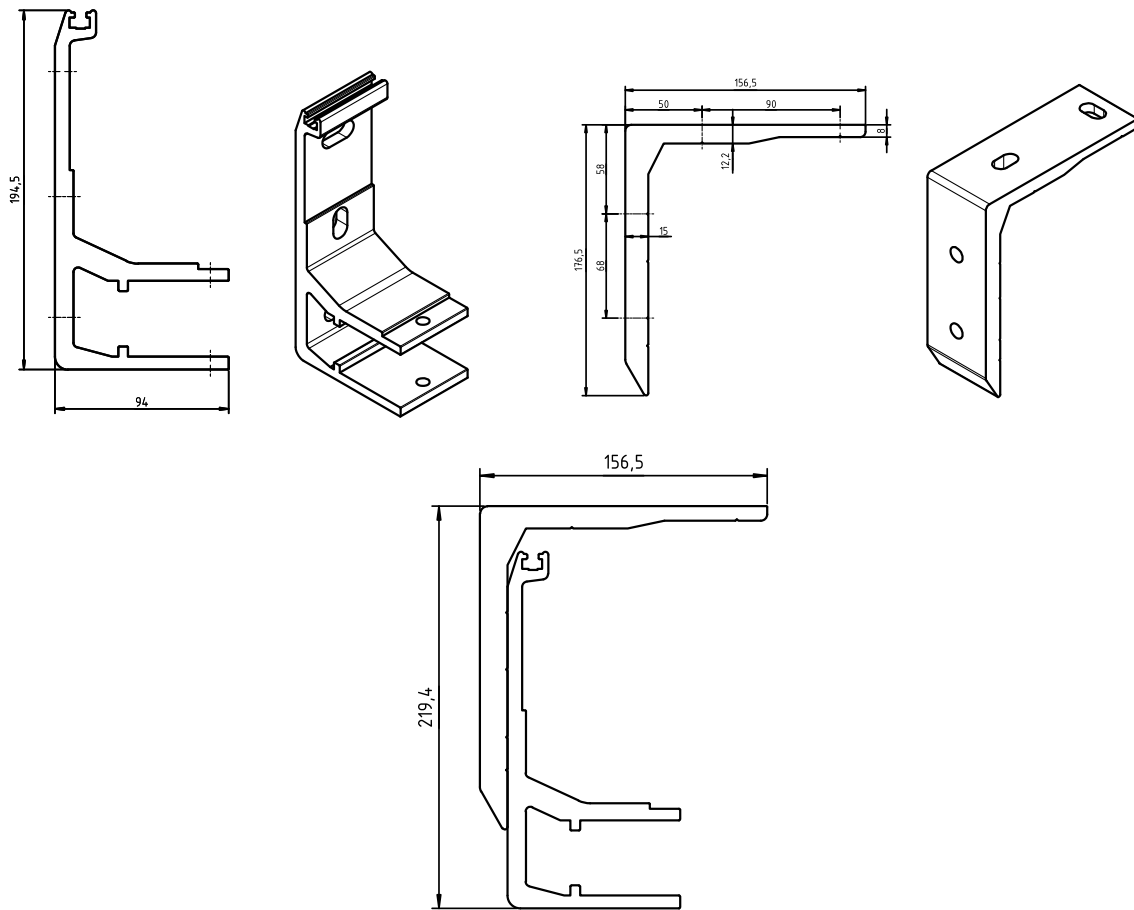


<p>1 Wall bracket / Roof bracket 2 Side covers 3 Roller tube 4 Fabric 5 Front bar</p>	<p>6 Arm 7 Arm bracket 8 Roof and side cover 9 R-pitch</p>
---	--

Brackets



Wall bracket / Roof bracket



Ceiling bracket

Installation

General requirements for safe installation

This chapter contains general requirements for the assembly of the product. Proper assembly is a prerequisite for the smooth functioning of the product. NERLI GRUPPEN Poland recommends the use of specialized assembly teams, guaranteeing the customer to carry out the correct assembly.

General requirements for safe installation

- Observe the general principles of the building regulations.
- Observe the applicable health and safety regulations, especially regulations about the safety of electrical equipment and working at heights.
- The awning should be protected from dirt, especially hard to removable (glue, mortar, expanding foams).
- The product must be secured in a mechanical way. Do not use foams, silicones, etc. as a fixing materials.
- The product should be attached to the permanent elements of the building (walls, steel and aluminium structure).
- For reinforced concrete lintels or solid brick, use dowels with dimensions adapted to the bearing capacity of the element to which product will be installed.
- The base for mounting the wall/ceiling bracket of the product should be a solid construction (concrete, brick, etc.). Do not mount product on elements, which not provide suitable load-bearing capacity, e.g. suspended ceilings (elements made of laminated plasterboard type) or insulation (polystyrene, mineral wool). It is recommended to use additives such as mortar for anchoring to reinforce the mounting in concrete, brick. The surface must be dry, levelled and have proper mechanical resistance.
- For metal constructions, which are connected together in accordance with rules of connecting materials, mount the product to the materials of adequate wall thickness (using screws or anchors).
- Remove all unnecessary elements before mounting the product.
- Access to the awning – in order to maintain – should be possible without dismantling other elements of the building.

Requirements for safe installation of the product at height

Due to the need of doing work at heights, mounting of the product belongs to especially dangerous works – it creates especially high risk of threat to the security and health of the people – especially falling from the height. Development of a plan for safety and health protection during the installation is the responsibility of the Purchaser. The buyer should define specific health and safety requirements during working at height – especially must ensure that they are provided:

- direct supervision of making the installation by the trained person (e.g. works manager),
- appropriate safeguards, especially protective equipment, which will prevent falling from the height,
- detailed instruction for workers, who are working on the height.

Work on heights above 2 m, which require the use of personal protective equipment against falling, must be performed by at least 2 people.

Work on the height should be organized and done in a way that do not force employees to lean out beyond the rim or contour of the area on which they stand.

The buyer has an obligation to ensure that access to places for work at heights have only authorized and properly informed people. Health and safety workers should inform employees, who are residing or likely to reside in the area of works on the height, about those works and precaution connected with them.

Preparing for installation

1. the supplied system should be checked for completeness of the entire set,
2. before installation, it must be checked that the substrate has a sufficient load capacity to allow safe installation and operation,
3. motor power supply.

Installation tools

List:

- drills for metal and concrete,
- hammer drill,
- ladder or scaffolding,
- hand screwdrivers and cordless screwdriver,
- hammer,
- tape measure,
- construction pencil or pen,
- spirit level,
- hexagonal wrench, flat/eyelet, socket extended.

WIRING (if motor was ordered)

Follow this instruction and motor instruction. Detailed information can be found on the motor manufacturers websites: www.somfy.com, www.cherubini-group.com.

All wiring must comply with current standards.

ATTENTION!

All electrical connections must be carried out by a licensed electrician. The electrical connections should be carried out according to the attached wiring diagram connections (as instructed by the electric drive manufacturer). Pay attention during placing the motor cable – cable should not be bent and should not be put near sharp edges. The switch should be mount properly on height 125 cm. Applied switch should be destined to control the awnings by the manufacturer. End limits for sliding are not factory set. Programming settings, should be carried out in accordance with the programming instruction attached to motor specification. Remember to save those settings.

Safety equipment

Non-stop working time of the motor can not exceed 4 min. In motor is mounted thermal switch, which is protecting it against overheating and extending the life of it. After pressing this switch, wait about 10 min. After this time, the temperature of the motor will drop and the drive will return to normal operation mode.

Using the crank (only for the awning with manual mechanism or with an emergency opening)

Hook the crank in device bracket. Twisting the crank results rolling the awning up or down. The fabric should be wrapped from the correct side of the roller tube (from above). Wrapping the sheathing in any other way, may cause damage to the fabric and construction of the awning.

Starting

No people should be near the awning during the trial running. All objects under the awning should be removed. Open and close the awning. Check whether the leading profile is symmetrically situated to the roller tube in the closed position. Check the horizontal position of the awning in the maximum opened position.

Usage

The user should be completely trained by the mounting company about the safety requirements and also how to use the product and how to maintenance it.

- It is forbidden to keep the remote control device near children.
- It is forbidden to use the damaged awning.
- It is recommended to carry out periodic inspection in order to check the completeness, condition and effectiveness of the constructional and electrical elements of the awning.
- For automatic control systems (e.g. wind/sun sensor), switch off the power before starting any actions or maintenance.
- Forced operation may cause damage to the awning.

Maintenance

It is not allowed to make any changes in the received product. Such an action may cause the loss of the warranty and may cause the danger to the correct operation. Maintenance and repair works should be made by the qualified service personnel of the manufacturer or by an authorized representative of the manufacturer. Basic maintenance operations, e.g. cleaning the fabric can be done by the user. It is recommended to carry out periodic inspection once a year.



Damaged electric products and batteries should not be disposed of with normal household waste. Make sure to drop them in specially provided containers or at an authorized organization that will ensure they are recycled.